

LC-DC2

IEX-2 module, DALI-2 application controller
 DALI-2 multi-master, send and receive
 8, 16 and 24 bit frames
 DALI power supply
 galvanic isolation
 10 digital inputs

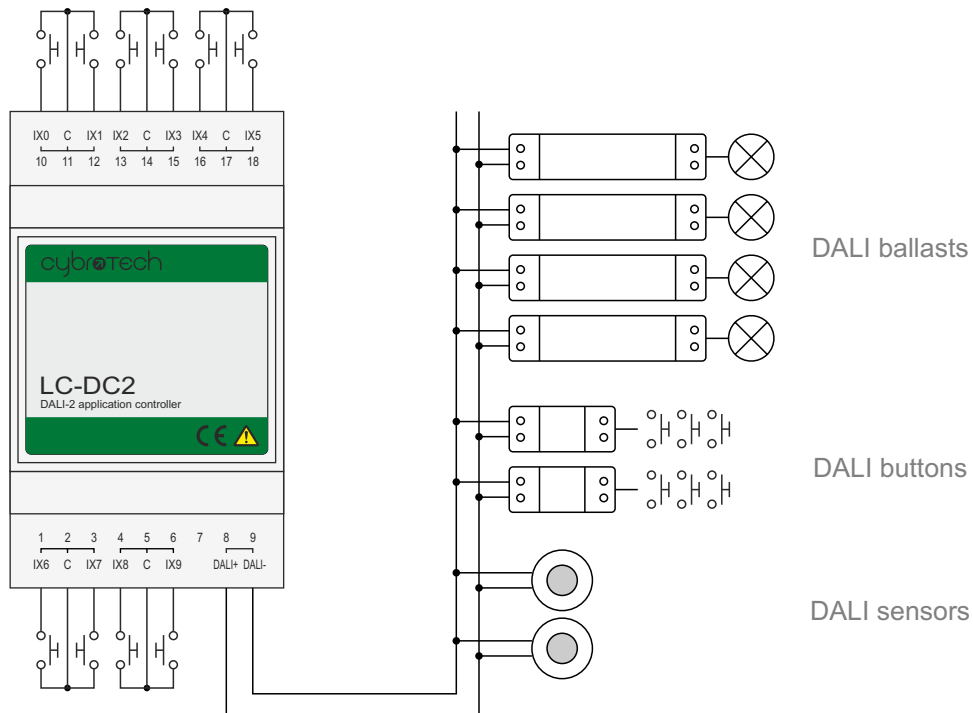


EXAMPLE

CyPro/Examples/
 DaliDemo.cyp



Wiring diagram



Technical specifications

Input type	dry contact, internal pull-up 12V 2mA
DALI output current	100mA
Ballasts per device	60 (1mA) or 30 (2mA)
Bus length	200m
Galvanic isolation	yes, 3kV
230V tolerance	no
Power supply	24V (18..28V), 200mA
Operating conditions	0..45°C, 0..95% rh non-condensing
Storage temperature	-20..75°C
Degree of protection	IP20
Dimensions	53x107x58mm
Weight	120g
Standards	EN 60730-1

Order code

LC-DC2-ISO

DALI-2 controller with galvanic isolation